



OVERVIEW RECYCLING

FROM IN-A-BOX SOLUTIONS TO IN-LINE SYSTEMS

<i>The specifications for all recycling systems are based on recycling of EPS</i>	MICRO IN-A-BOX	MINI IN-A-BOX	MINI INLINE SYSTEM	MAXI INLINE SYSTEM	JUMBO INLINE SYSTEM
---	-------------------	------------------	--------------------------	--------------------------	---------------------------

Capacity

SHAPE MOULDING

Granulated and dedusted EPS material on 6mm screen	2-3 m ³ /h 70-105 ft ³ /h	6-8 m ³ /h 210-280 ft ³ /h	6-8 m ³ /h 210-280 ft ³ /h	10-12 m ³ /h 350-420 ft ³ /h	15-20 m ³ /h 630-700 ft ³ /h
--	--	---	---	---	---

BLOCK MOULDING

Granulated and dedusted EPS material on 10mm screen	4-6 m ³ /h 140-210 ft ³ /h	9-10 m ³ /h 315-350 ft ³ /h	9-10 m ³ /h 315-350 ft ³ /h	18-20 m ³ /h 630-700 ft ³ /h	35-40 m ³ /h 1225-1400 ft ³ /h
---	---	--	--	---	---

HIGH DENSITY MOULDING

Granulated and dedusted EPP material or high density EPS	20-50 kg/h 44-110 Lbs/h	50-100 kg/h 110-220 Lbs/h	50-100 kg/h 110-220 Lbs/h	100-160 kg/h 220-350 Lbs/h	N/A
--	----------------------------	------------------------------	------------------------------	-------------------------------	-----

Measurements

Hopper opening	780x400mm 30x15"	900x600mm 36x24"	900x600mm 36x24"	1400x600mm 56x24"	1800x800mm 72x31"
Granulator screen surface	0,2 m ² 2 ft ²	0,9 m ² 9,7 ft ²	0,9 m ² 9,7 ft ²	1,4 m ² 15 ft ²	2,4 m ² 26 ft ²
Floor space required	5 m ² 52 ft ²	6 m ² 65 ft ²	12 m ² 120 ft ²	16 m ² 160 ft ²	40 m ² 400 ft ²

Electrical load

Standard EPS	11,5 kW	19 kW	19 kW	36 kW	50 kW
EPP or high density EPS	14,5 kW	32 kW	32 kW	53 kW	57kW



KBM APS | VOELUNDSVEJ 13 | 3400 HILLEROED | DENMARK

Phone +45 4826 8090 / www.kbm.dk / kbm@kbm.dk

KBM ApS guarantees that the product meets the specification above. The keeping, handling and use of the products are beyond the control of KBM ApS, and therefore shall not invoke any responsibility of the company. This TD substitutes and deletes all previous versions.



Technical Data sheet

SYSTEM CONFIGURATION



- A version:** Direct vertical material feeding
- B version:** Direct horizontal material feeding
- C version:** Direct vertical + feeding of precrushed material from silo
- D version:** Feeding of pre-crushed material from silo placed above granulator
- E version:** Feeding of pre-crushed material from silo placed next to granulator

	Micro-in-a-box - Version A	Micro-in-a-box - Version D	Mini-in-a-box - Version B	Mini-in-a-box - Version C	Mini-inline - Version A	Mini-inline - Version B	Mini-inline - Version C	Mini-inline - Version D	Mini-inline - Version E	Maxi-inline - Version A	Maxi-inline - Version B	Maxi-inline - Version C	Jumbo-inline - Version D
Capacity (Granulated material output):													
0 - 5 m3/hour	●	●											
0 - 10 m3/hour			●	●	●	●	●	●	●				
0 - 20 m3/hour										●	●	●	●
0 - 40 m3/hour													●
Capacity by weight (EPP + HD versions only!)													
0 - 50 kg/hour	●	●											
0 - 100 kg/hour			●	●	●	●	●	●	●				
0 - 160 kg/hour										●	●	●	●
Regular EPS/Graphite EPS	●	●	●	●	●	●	●	●	●	●	●	●	●
High density EPS/HD Graphite EPS/Regular EPP	●○	●○	●○	●○	●○	●○	●○	●○	●○	●○	●○	●○	●○
Arcel/Bio/Piocelan	●	●	●	●	●	●	●	●	●	●	●	●	●
High density EPP			●○	●○	●○	●○	●○	●○	●○	●○	●○	●○	●○
Built-in pre-crusher	●	●	●	●	●	●			●	●	●	●	●
Separate pre-crusher required/optional		●	●■		●■	●	●	●		●■	●	●	●
Feeding pre-crushed material from cutting line		●	●		●	●	●			●	●	●	●
Heavy-parts filter for pre-crushed material		●	●		●	●	●			●	●	●	●
Separate transport blower for pre-crusher required/optional		●	●		●	●	●			●	●	●	●
Silo for pre-crushed material required/optional		●	●■		●■	●	●			●■	●	●	●
Built-in granulator	●	●	●	●	●	●			●	●	●		
Separate granulator							●	●			●	●	●
Screen sizes available:													
4 mm	●	●	●	●	●	●	●	●	●	●	●	●	●
4,5 mm	●	●	●	●	●	●	●	●	●	●	●	●	●
5 mm	●	●	●	●	●	●	●	●	●	●	●	●	●
6 mm	●	●	●	●	●	●	●	●	●	●	●	●	●
8 mm	●	●	●	●	●	●	●	●	●	●	●	●	●
10 mm	●	●	●	●	●	●	●	●	●	●	●	●	●
12 mm	●	●	●	●	●	●	●	●	●	●	●	●	●
Built-in de-dusting unit	●	●	●	●									
Separate de-dusting unit					●	●	●	●	●	●	●	●	●
Built-in dust compactor with cyclone	●	●	●	●									
Separate dust compactor - with air venting bags (optional)					●	●	●	●	●	●	●	●	●
- with air cyclone (optional)					●	●	●	●	●	●	●	●	●
Recommended mixing system:													
Styromix 3 (shape moulding)	▲	▲	▲	▲	▲	▲	▲	▲	▲	▲	▲	▲	▲
Styrometer Mini (shape & block moulding)			▲	▲	▲	▲	▲	▲	▲	▲	▲	▲	▲
Styrometer Maxi (block moulding)										▲	▲	▲	▲
Styrometer Jumbo (block moulding)										▲	▲	▲	▲
Styrometer Gigant (block moulding)										▲	▲	▲	▲

- Available system/function/unit
- Require high density version
- May be required or optional depending on customer requirement
- ▲ Recommendation but other combinations can be applied

Technical Data sheet

SYSTEM CONFIGURATION



In-a-box systems

Micro-in-a-box & Mini-in-a-box

Complete integrated systems with optional separate pre-crusher, heavy-parts filter and feeding silo. Can be equipped with any mixing system

Illustration 1 features a Mini-in-a-box transferring recycled material to a silo with a distribution box connected with Styromix 3 system.

Illustration 2 features Styrometer mixing system.

Illustration 1

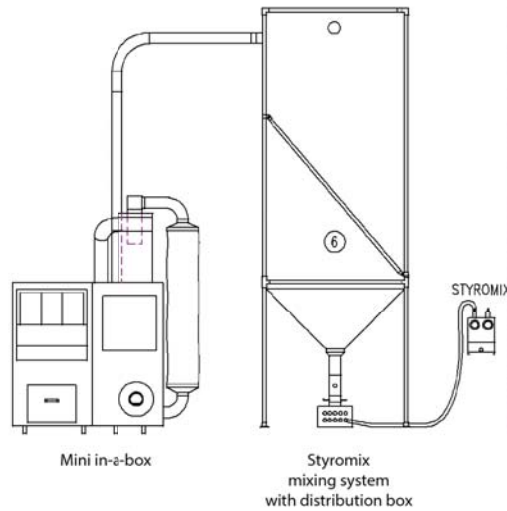
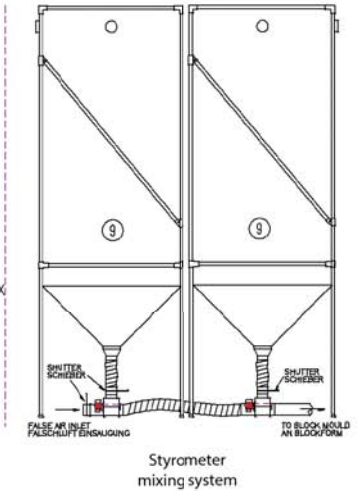


Illustration 2



In-line systems with combined pre-crusher/granulator

MINI + MAXI systems

In-line systems with combined pre-crusher/granulator, de-dusting unit, dust compacting and mixing system.

Illustration 3 features a combined pre-crusher/granulator A version, with de-dusting unit and dust compactor with venting bags. Illustration 4 features Styromix with distribution box and Styrometer mixing systems.

Illustration 3

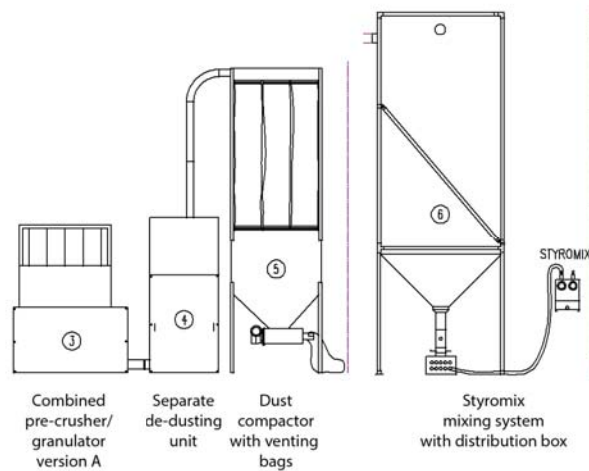
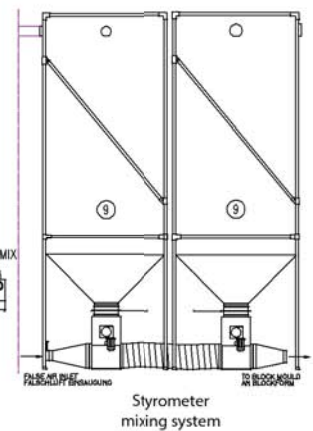


Illustration 4



In-line systems with separate pre-crusher and granulator

MINI + MAXI + JUMBO systems

In-line systems with separate pre-crusher and granulator, heavy-parts filter, de-dusting unit, dust compacting and mixing system.

Illustration 5 features a separate pre-crusher, heavy-parts filter granulator D version, de-dusting unit, dust compactor with cyclone and Styrometer mixing systems.

Illustration 5

